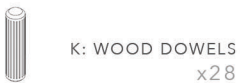
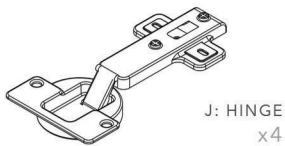
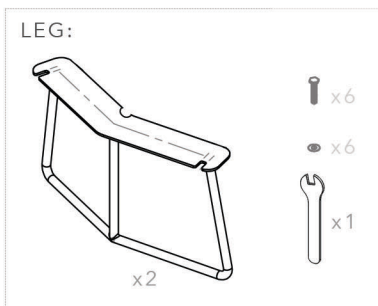
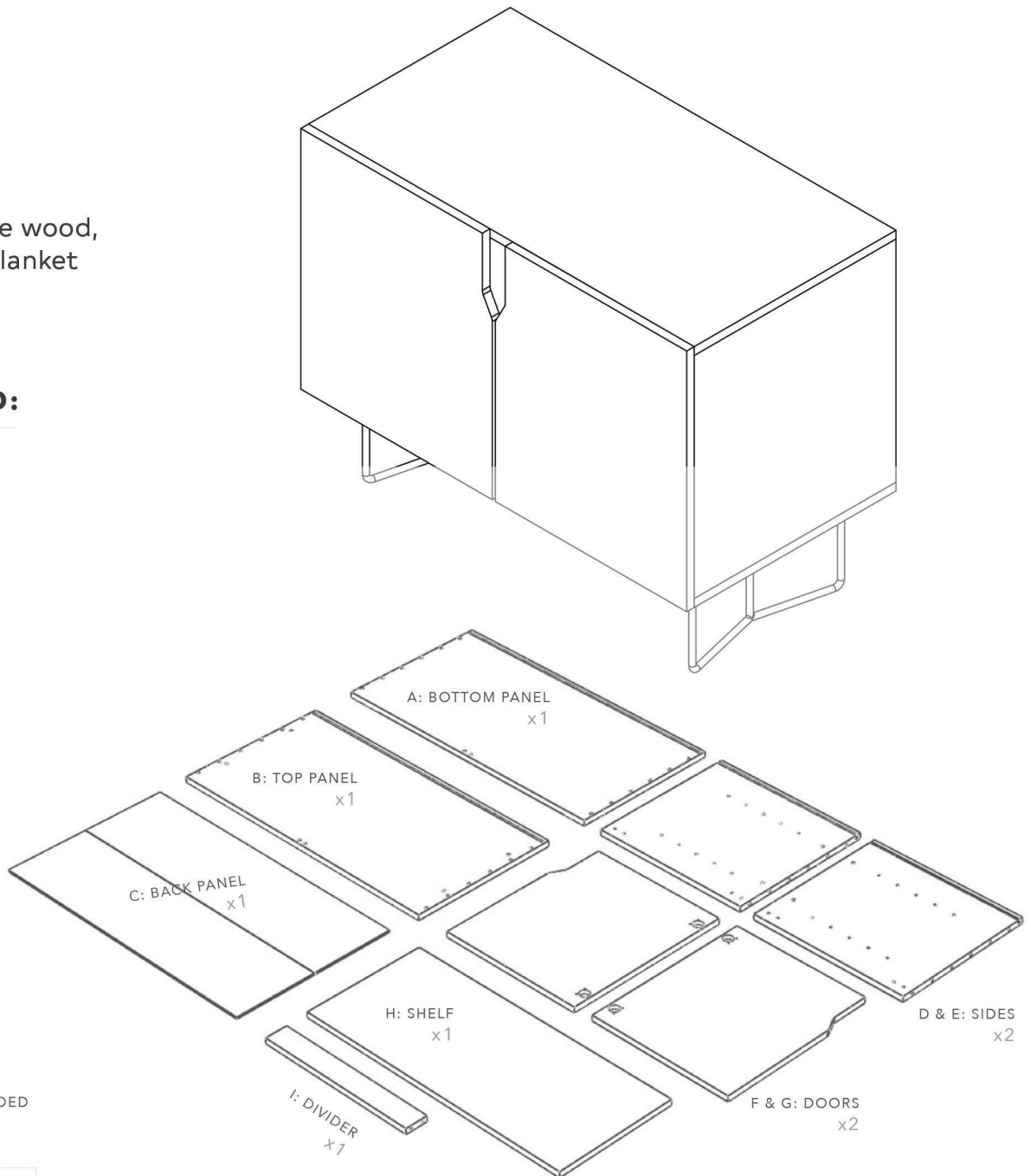


PRO TIP: To protect the wood, assemble on top of a blanket or soft surface.

WHAT'S INCLUDED:



*NOTE: EXTRAS MAY BE INCLUDED

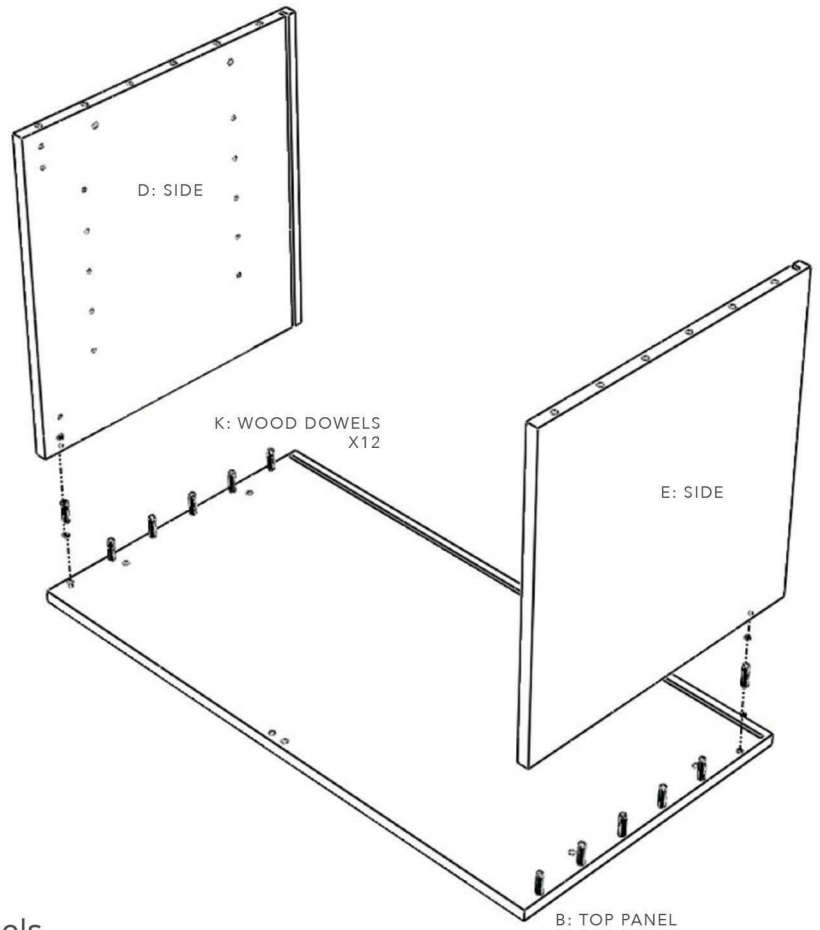


DO NOT USE AN ELECTRIC SCREWDRIVER

YOU WILL NEED:

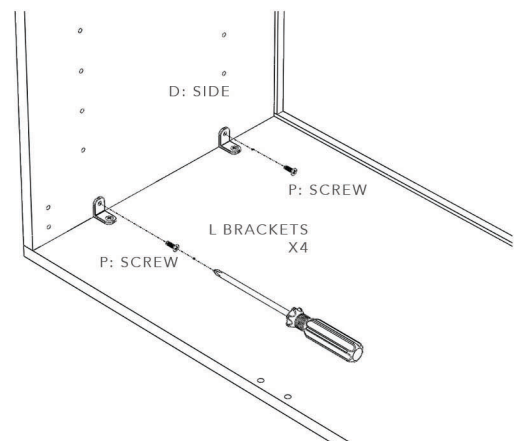
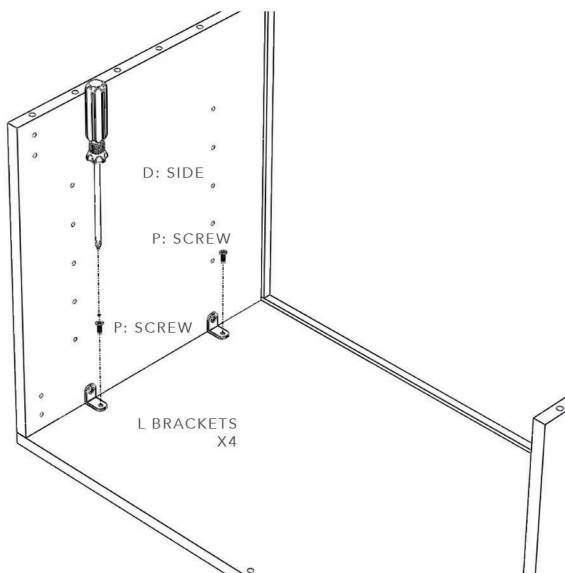


- 1 Insert wood dowels into the holes on the bottom of each side panel. Then line up the dowels with the matching holes in the top panel and push down to secure together.



- 2 Attach L brackets to the top and side panels, using two short black screws per bracket.

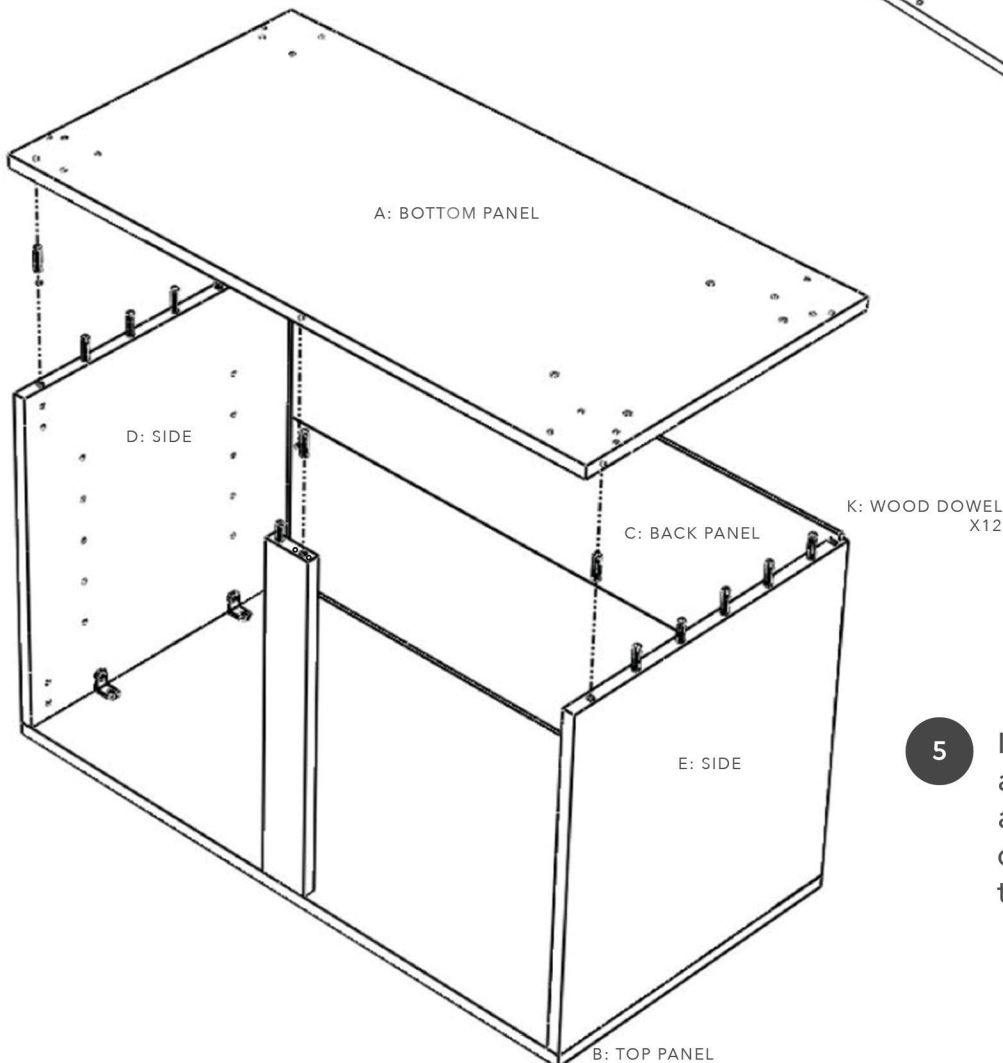
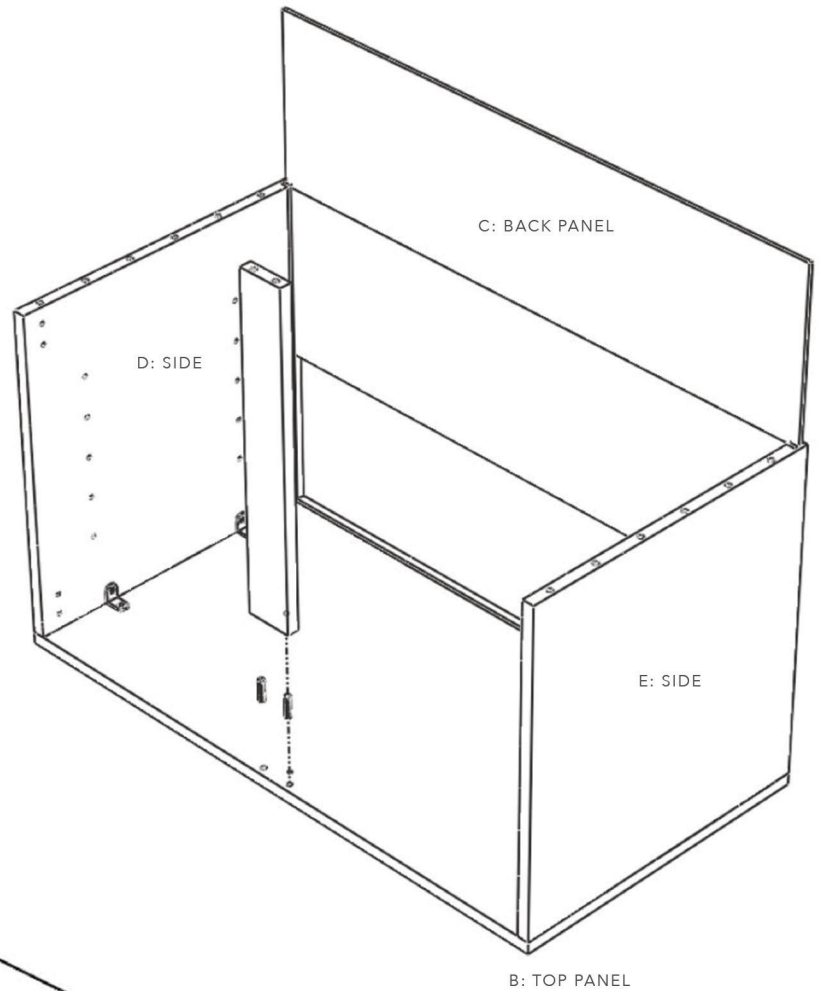
Pro Tip: Make sure the panels are flush together by first tightening each screw halfway. Then gradually tighten each screw for an even fit.



REPEAT AND ADD L BRACKETS ON SIDE E

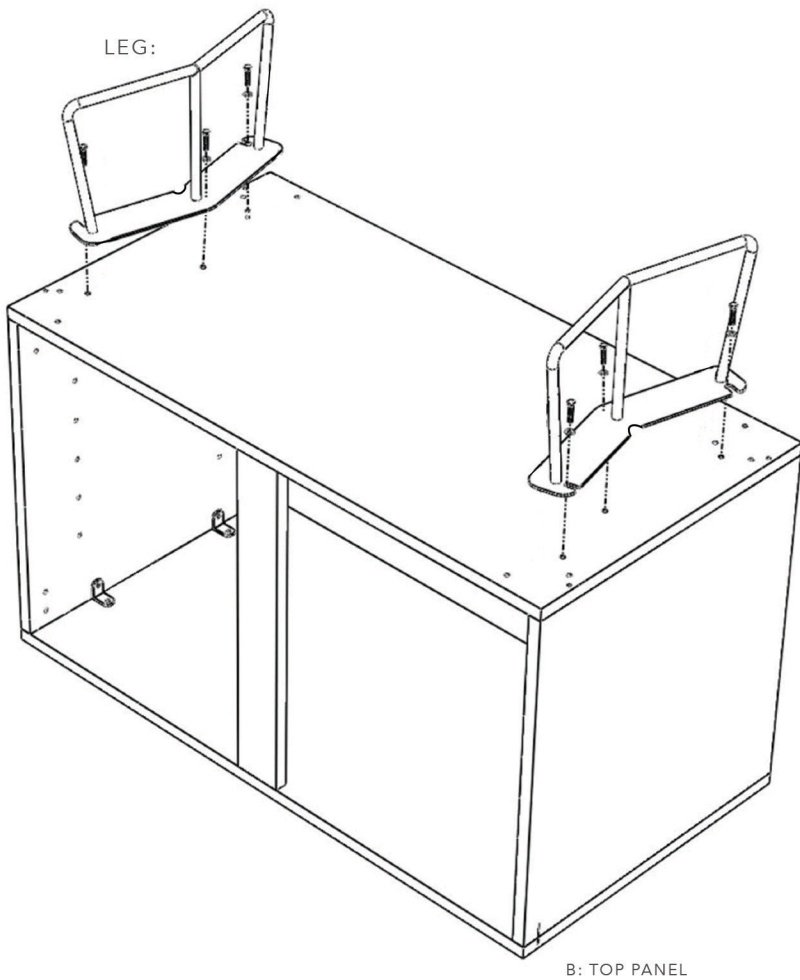
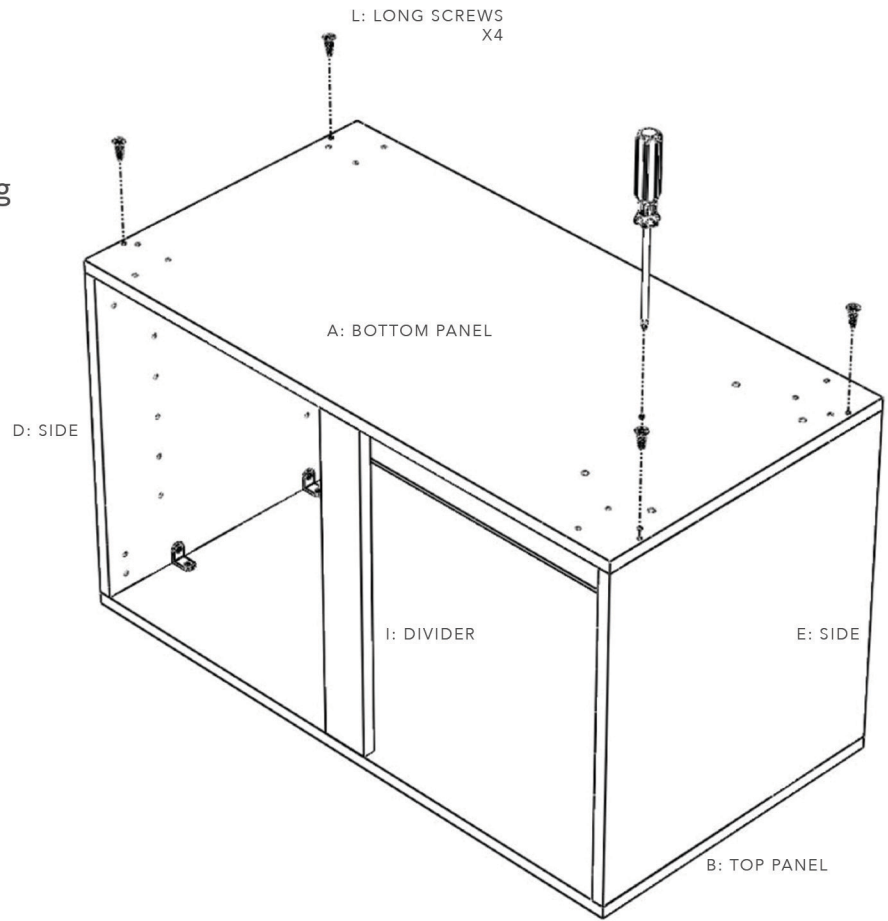
3 Slide the back panels into the groove along the back of the top panel.

4 Insert wood dowels into the holes on the bottom of the divider. Then line up the dowels with the matching holes in the top panel and push down to secure together.

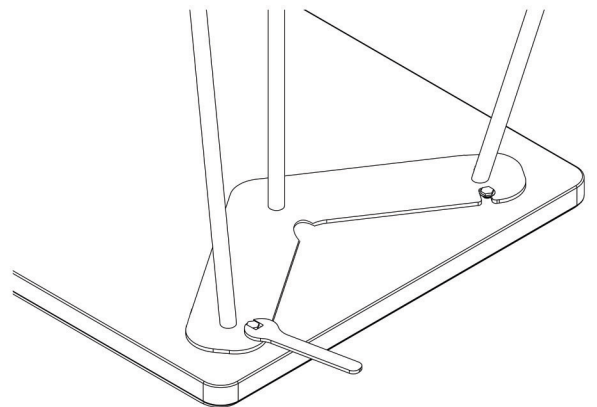


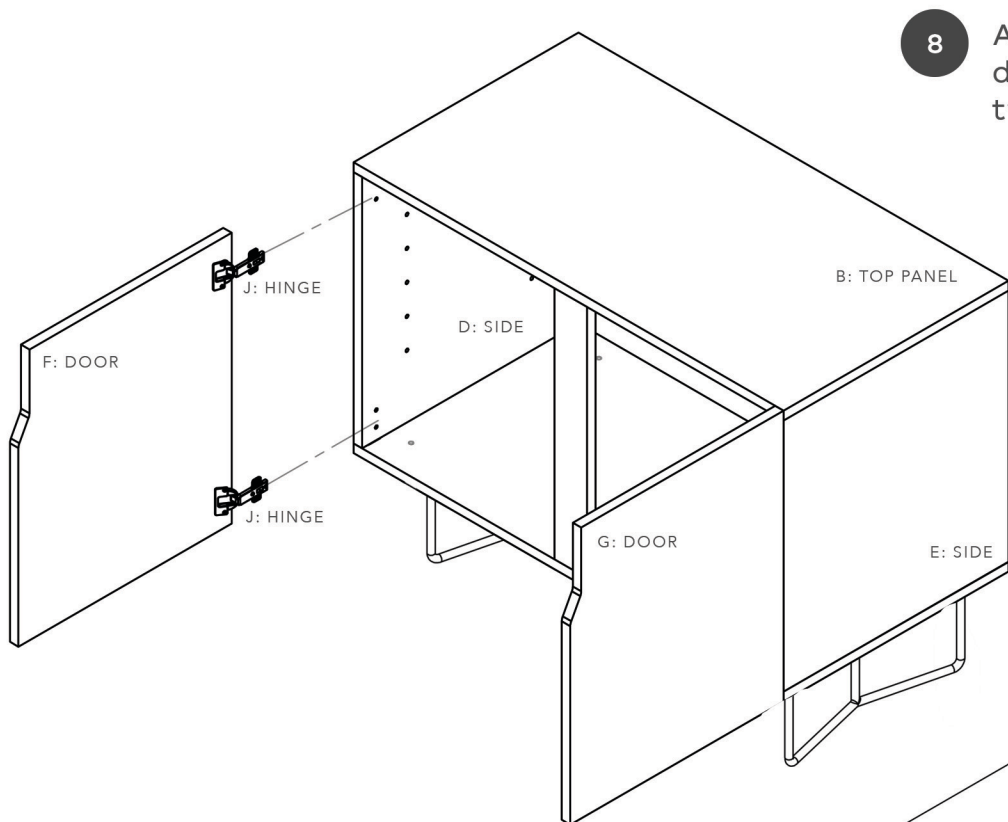
5 Insert wood dowels into the holes along the top of each side panel and the divider. Then line up the dowels with the matching holes in the top panel and push down.

6 Secure the bottom panel using four long screws.

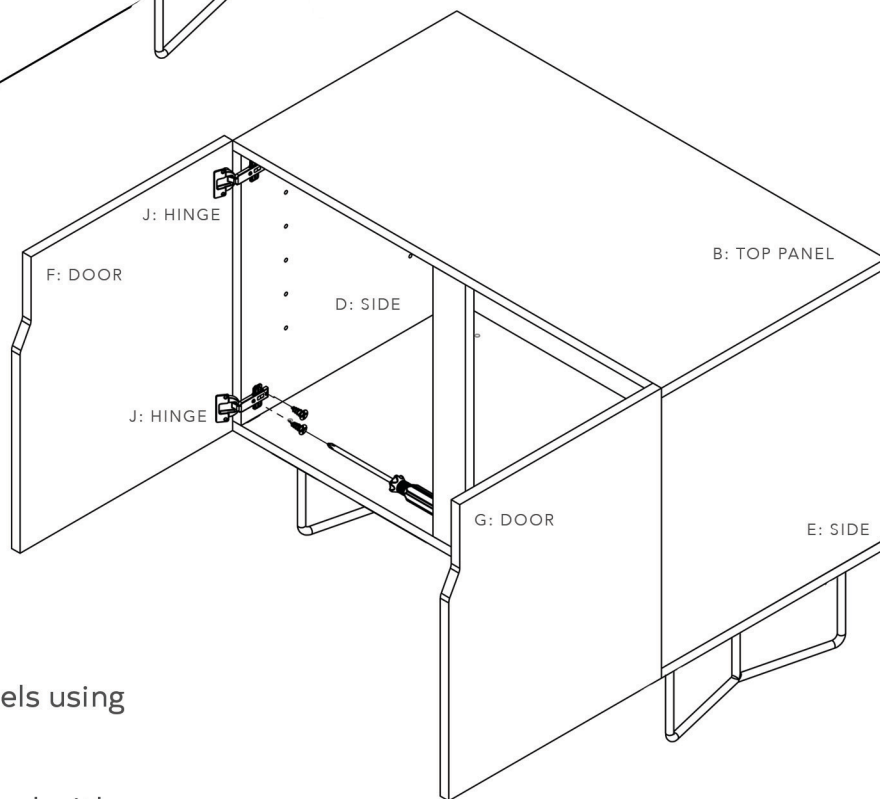


7 Align each leg with the holes in the bottom panel. Then use the wrench to secure each with one bolt and washer per hole.





- 8 Align each hinge with the holes in the door panels. Then secure each with two short screws.



- 9 Attach door panels to the side panels using two short screws per hinge.

Pro Tip: Make sure the doors are level with the top panel by first tightening each screw halfway. Then gradually tighten each screw for an even fit.

10 Insert shelf pegs into the holes in the side panels at the desired height. Then slide the shelf in and lift to rest on the pegs.

