




**WHAT'S INCLUDED:**

---

-  x4
-  x4
-  x1

- 1 Align each leg with the holes in the bottom panel. Then use the wrench to secure each with one bolt and washer per hole.

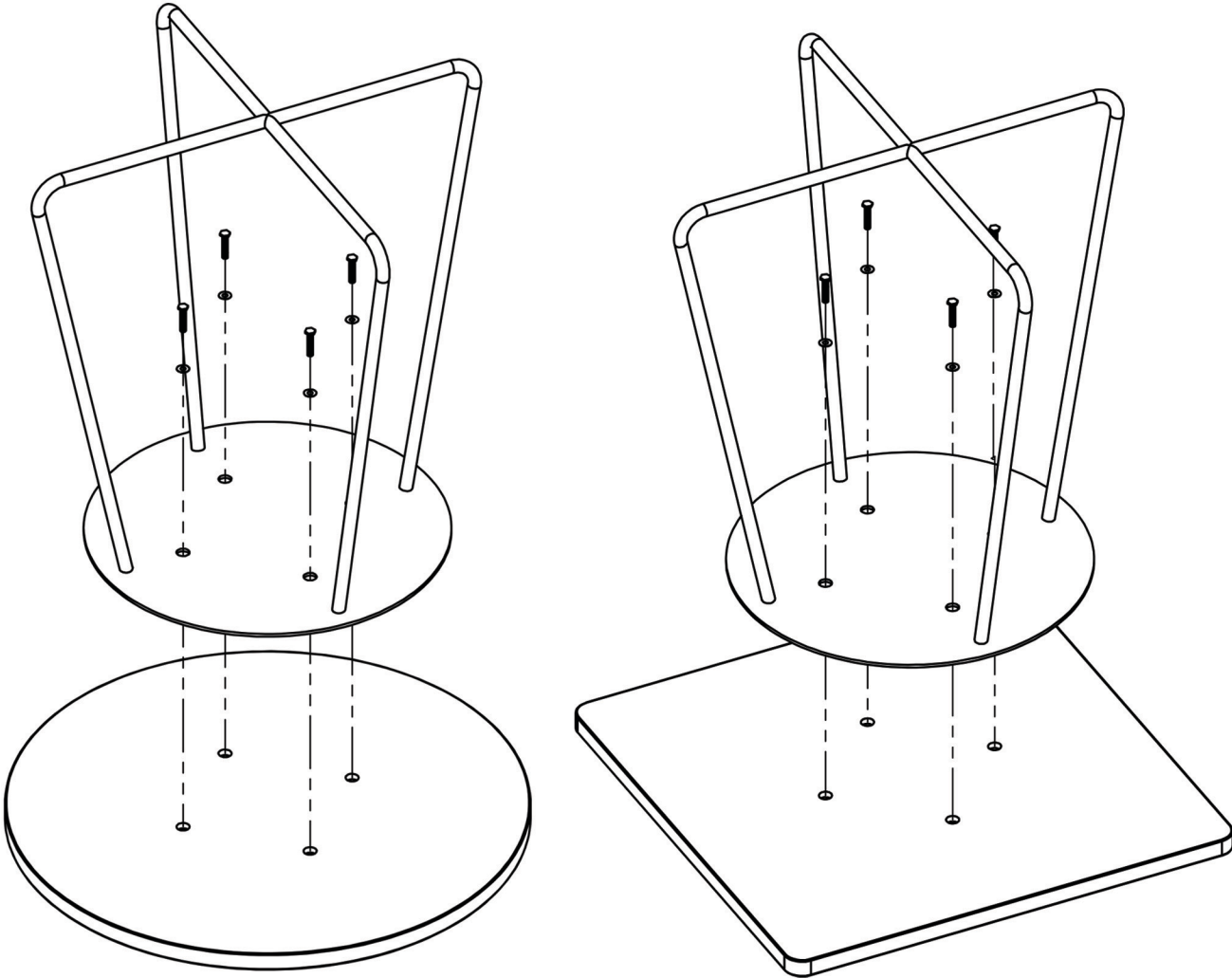


FIG. 1

