

WHAT'S INCLUDED:

LEG:



-  x8
-  x8
-  x1

- 1 Align each leg with the holes in the bottom panel. Then use the wrench to secure each with one bolt and washer per hole.

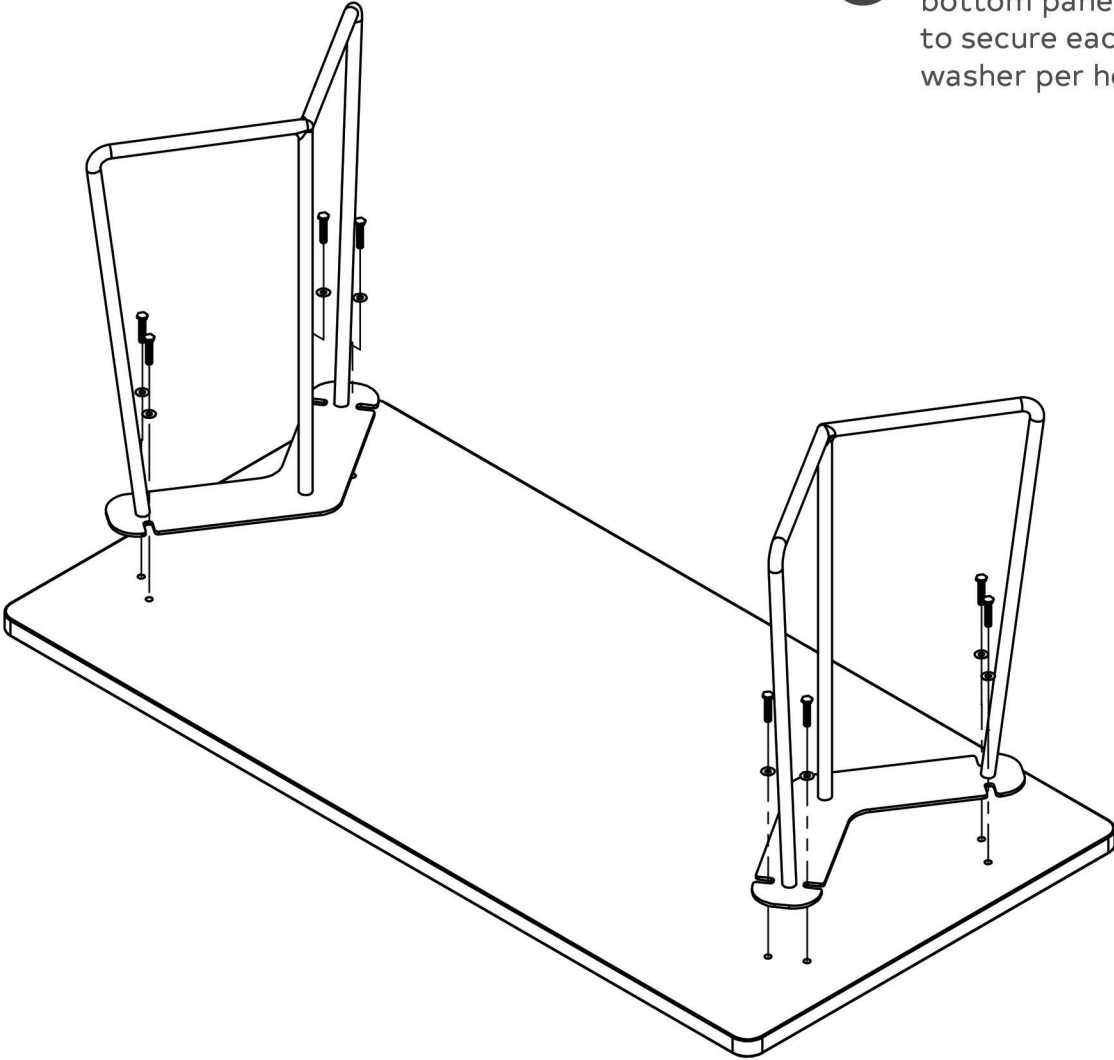


FIG. 1

